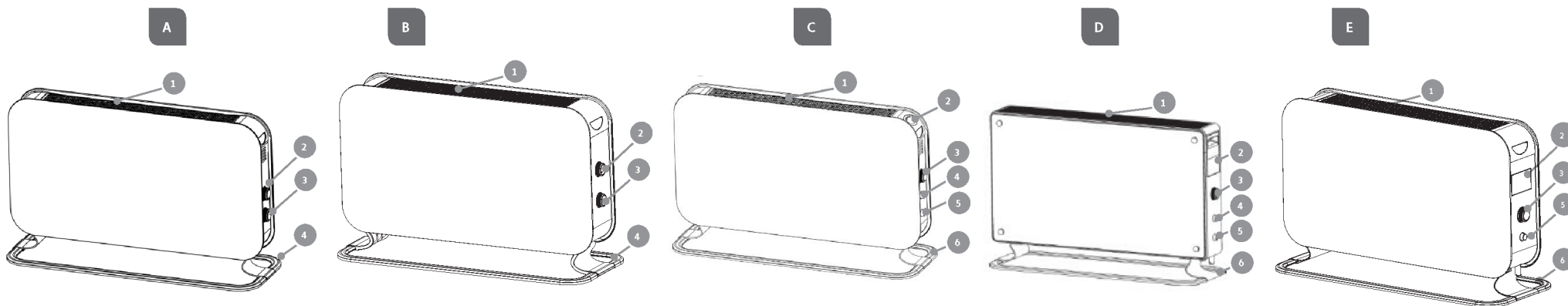


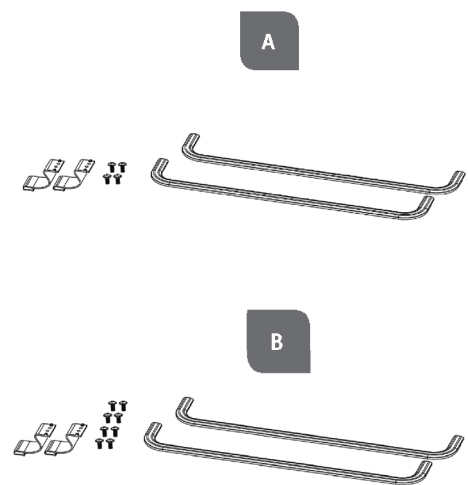


## Mill Instant portable heater illustrations

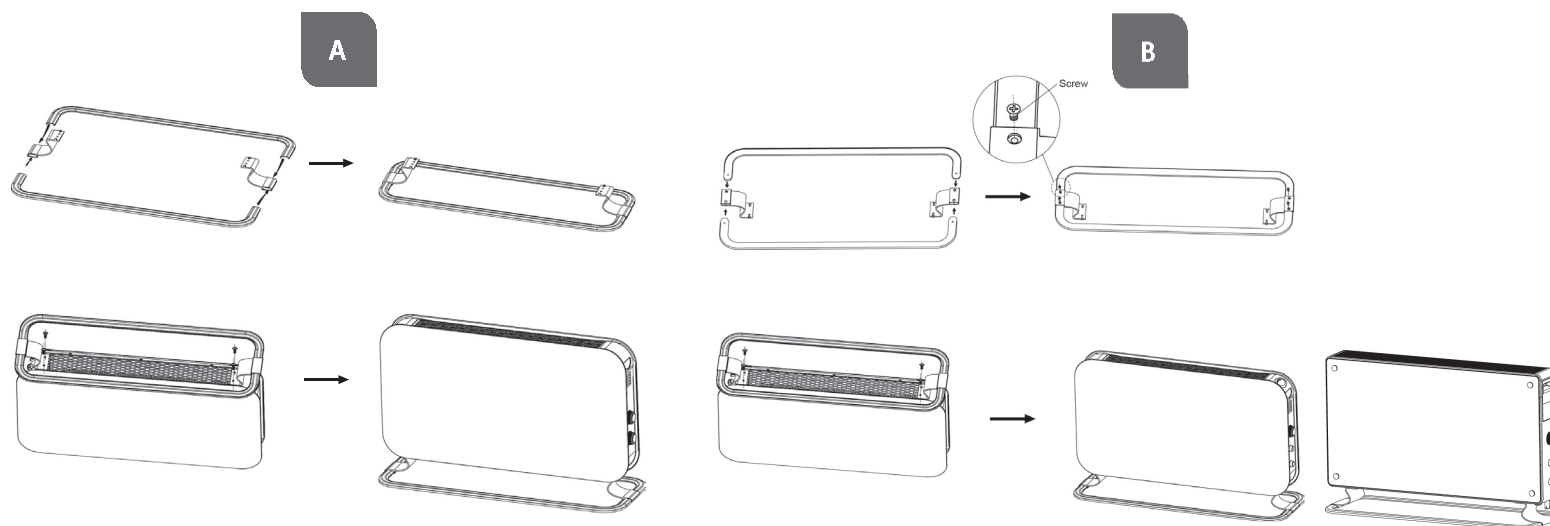
### 1. DESCRIPTION OF THE HEATER



### 2. PARTS



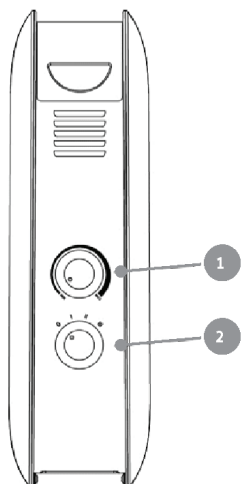
### 3. ASSEMBLY



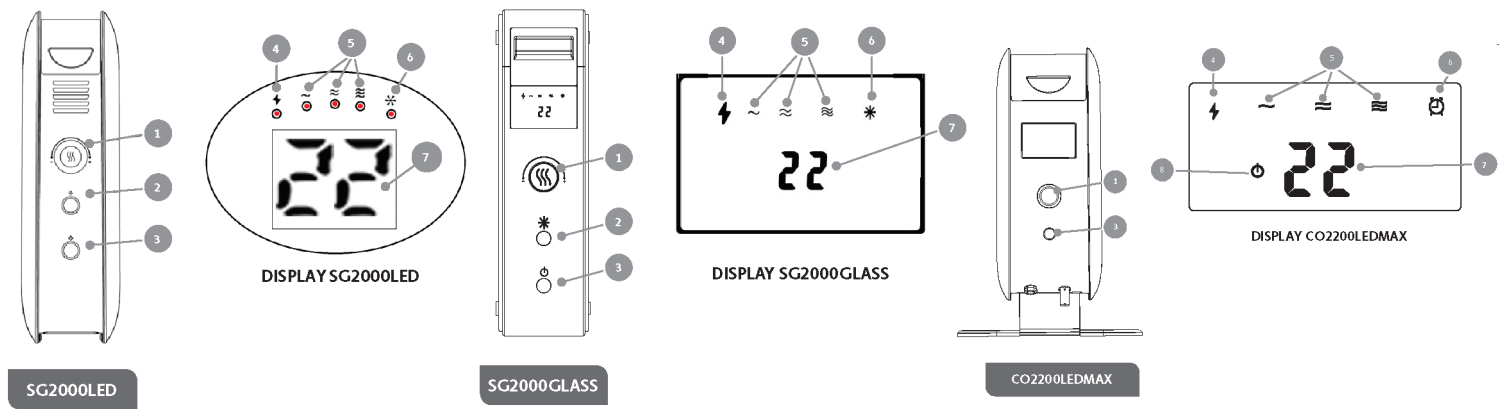


## Mill Instant portable heater illustrations

### 4. CONTROL PANEL MECHANICAL THERMOSTAT



### 5. CONTROL PANEL ELECTRONIC THERMOSTAT



### 6. TEMPERATURE CALIBRATION



### 7. RESETTING THE HEATER

