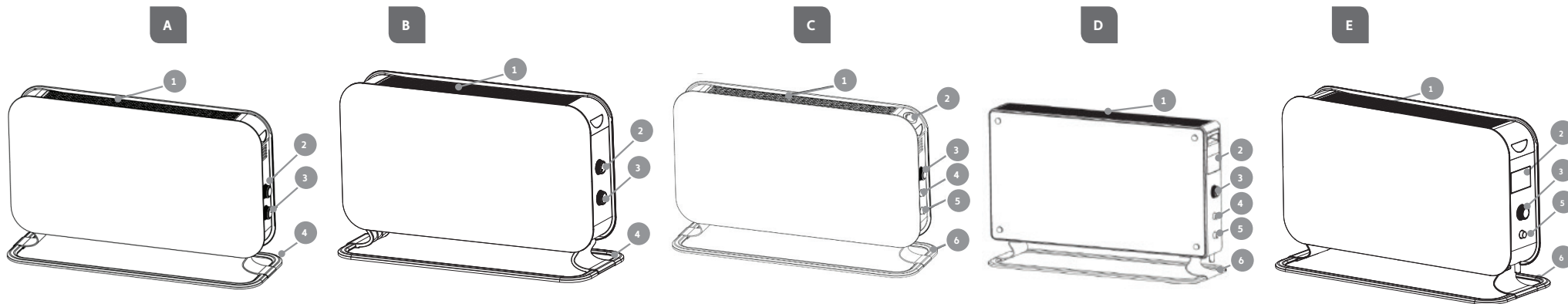




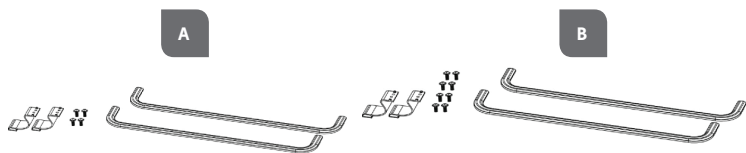
Mill Instant convection heater Illustrations mill®



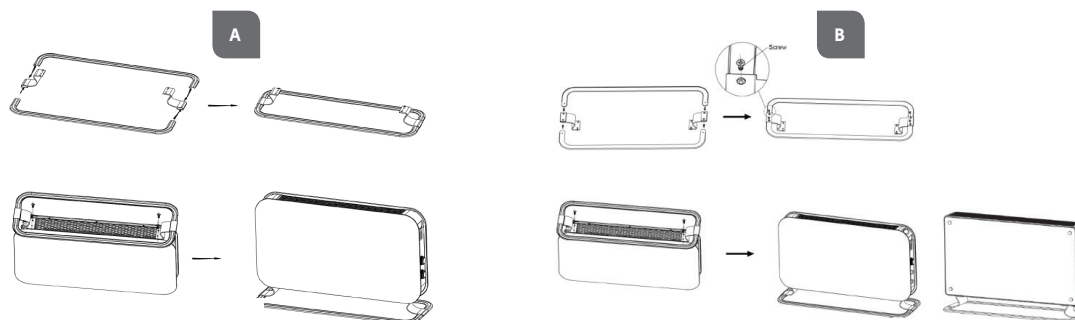
1. DESCRIPTION OF THE HEATER



2. PARTS



3. ASSEMBLY

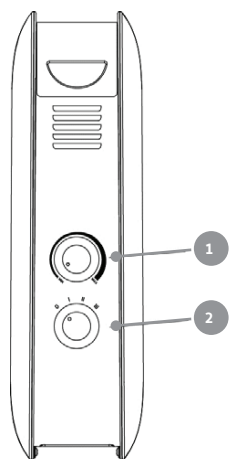




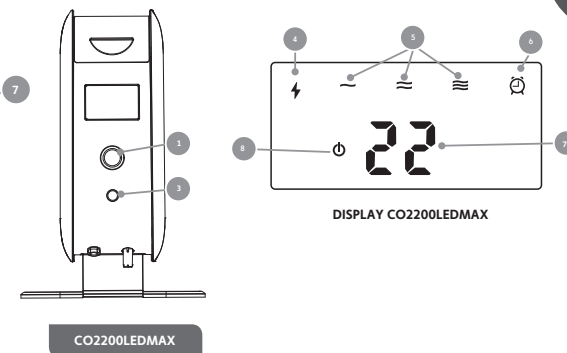
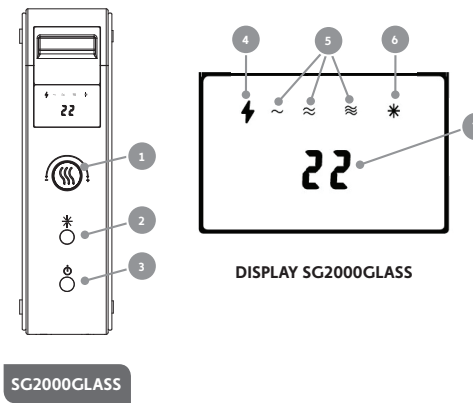
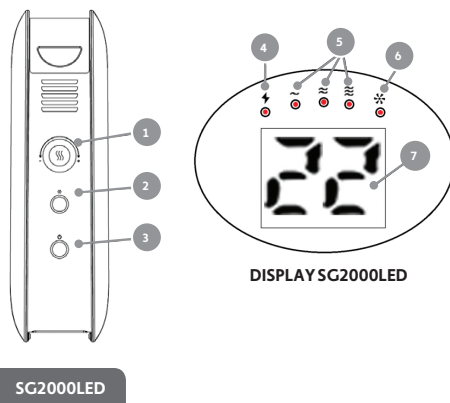
Mill Instant convection heater Illustrations **mill**[®]



4. CONTROL PANEL MECHANICAL THERMOSTAT



5. CONTROL PANEL ELECTRONIC THERMOSTAT



6. TEMPERATUR CALIBRATION



7. RESETTING THE HEATER

